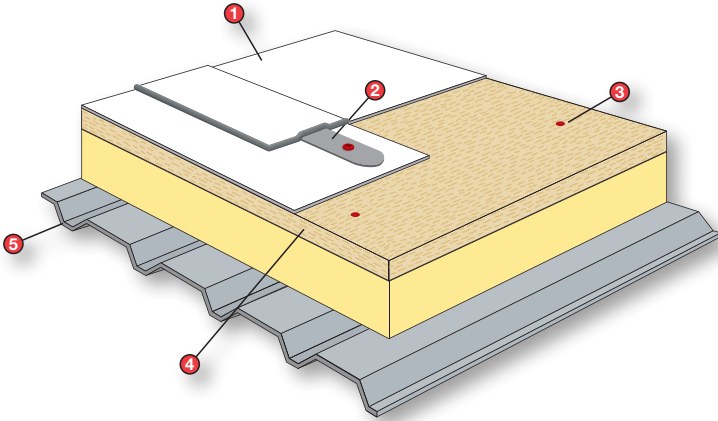
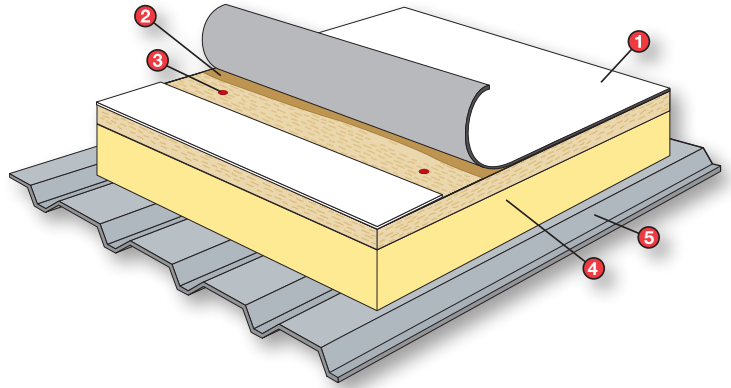


FIRESTONE PREMIUM
Platinum
 TPO ROOFING SYSTEMS

Firestone UltraPly™ Platinum™ TPO



- ① Firestone UltraPly™ Platinum™ TPO with Wide-Weld™ Seam Technology
- ② Firestone Batten Strip
- ③ Firestone HailGard Fasteners
- ④ Firestone HailGard Insulation
- ⑤ Roof Deck



- ① Firestone UltraPly™ Platinum™ TPO with Wide-Weld™ Seam Technology
- ② Firestone TPO Bonding Adhesive
- ③ Firestone HailGard Fasteners
- ④ Firestone HailGard Insulation
- ⑤ Roof Deck



80 mils of thickness in a white, environmentally-friendly roofing system that offers a 30 year warranty.

Features

- 80 mil reinforced TPO
- 30-year leak-free warranty can cover punctures, hail and 100 mph winds
- White reflective-surfaced UltraPly™ Platinum TPO exceeds EPA ENERGY STAR® requirements for reflective roofing
- Wide-Weld™ Seam Technology to achieve ideal field seams and outstanding wind ratings
- No chlorinated or halogenated components

Benefits

- Choice of mechanically attached or fully adhered system
- Outstanding resistance to degradation from ultraviolet (UV) radiation, ozone and select chemical exposure
- Scrim-reinforced membrane provides enhanced puncture, tear and abrasion resistance
- Minimal maintenance required



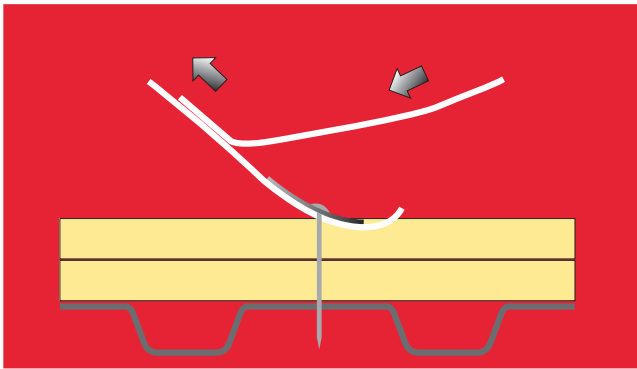
Firestone
 BUILDING PRODUCTS
 NOBODY COVERS YOU BETTER™

www.firestonebpco.com

Firestone Quality

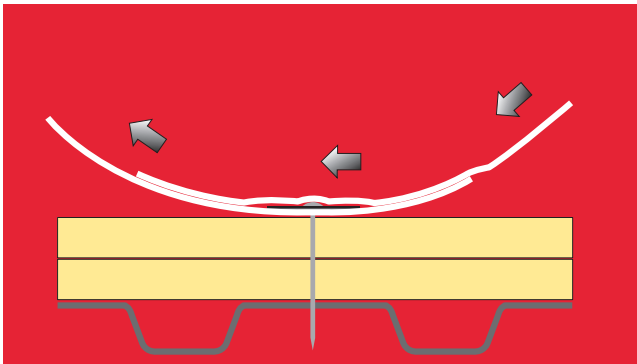
The Firestone name is synonymous with quality, innovation and leadership. Through annual investments in research and development, we remain at the forefront of advances in roofing technology.

Typical TPO Seam



In a conventional asymmetrical TPO seam, less than half of the seam is welded. As a result, wind uplift ratings are limited.

Firestone Wide-Weld™ Seam Technology



With Firestone's symmetrical Wide-Weld™ Seam Technology, a 5" weld area completely surrounds the fastener, distributing uplift forces uniformly along all edges of the fastening system and eliminating peel forces of conventional single-weld seams.

Firestone
BUILDING PRODUCTS

NOBODY COVERS YOU BETTER™

Firestone Building Products

250 West 96th St., Indianapolis, IN 46260

Corporate Office: 1-800-428-4442 • 317-575-7000 • Fax: 317-575-7100

www.firestonebpco.com

International Offices:

Firestone Building Products Canada

2835 Argentina Road, Unit #2
Mississauga, ON L5N 8G6
800-428-4442 ext 77663
Fax: 887-666-3022
www.firestonebpco.ca

Firestone Building Products Europe

Hermesstraat 2C
1930 Zaventem, Brussels, Belgium
+32 2 7114450
Fax: +32 2 7212718
www.firestonebpco.com

Firestone Building Products Latin America

8200 NW 52nd Terrace, Suite 107
Miami, FL 33166
305-471-0117
Fax: 305-471-0377
www.firestonebpco.com



This green product printed on recycled paper using Soy Inks and manufactured using 100% Wind Power.

UltraPly™ Platinum™ TPO

Width:

- 60" (1.5 m)
- 74" (1.9 m)*
- 96" (2.4 m)
- 120" (3.05 m)
- 148" (3.8 m)*

* Size only available in white

Roll Length:

- 100' (30.5 m)

Membrane Thickness:

- 80 mil (0.080", 2.0 mm)

Internal Reinforcement:

- 9 x 9 yarns per inch
- 1,000 Denier Yarns
- Weft-Inserted Polyester Scrim

System Installation Options:

- Fully Adhered
- Mechanically Attached using Wide-Weld™ Seam Technology

Compatible Substrates:

- Steel
- Structural Concrete
- Lightweight Cellular Concrete
- Plywood
- Tectum
- Gypsum

Warranty:

- 30-year total system with mechanically attached Wide-Weld™ Seam Technology or fully adhered application

Code Approvals:

UltraPly™ Platinum™ TPO can meet a variety of model building code approvals and classifications, depending on the specific system or assembly. UltraPly™ Platinum™ TPO has attained Underwriters Laboratories (UL) Class A exterior fire classification over combustible and non-combustible decks. UltraPly™ Platinum™ TPO roofing systems have FM ratings up to Class 1-195.

CRRC Rated Product ID:

- White 0608-0008
- Tan 0608-0015

Please reference Firestone Building Products Technical Information Sheet (TIS) found at www.firestonebpco.com